

**Operation Manual for the**



**Magnetic centrifugal pump  
Ocean Runner OR 1200**

**Circulation pump for aquaria with a maximum capacity of 1.200 l/h  
With the purchase of this pump you have selected a top quality product. It has been  
specifically developed for aquaristic purposes and extensively tested by specialists.**

## 1. Features

The magnetic **centrifugal pump Ocean Runner OR 1200** is watertight and safe against flooding. It works in a very quiet way. The synchronous motor is fully encased. All materials are sea water resistant.

The polished ceramic shaft and bearing is nearly wear-resistant so that a long life span is guaranteed. Furthermore, the integrated overheat protection avoids failures in case of a blocking of the impeller.

The whole pump can be disassembled for cleaning. Each electrical part is encapsulated. The pump may be operated submerged or dry.

### CAUTION:

- A dry run destroys the pump in a very short time!
- Frost destroys the pump as well!

### IMPORTANT NOTE:

- Operate the pump only with the correct voltage (see type label)!

## 2. Technical Data

<b>Ocean Runner OR 1200</b>	
Power requirements	230 V/50 Hz
Power uptake	25W
Maximum liter/hour (liter/minute)	1200 (20)
Pump height (max)	1.6 m
Connection pressure side	1/2" male thread
Connection suction side	1/2" male thread
Length of cable	3m
Protection:	IP67

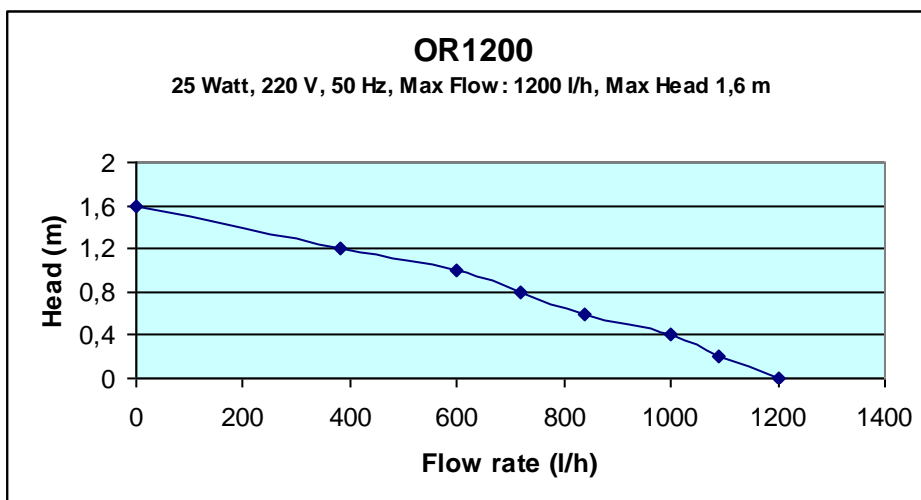
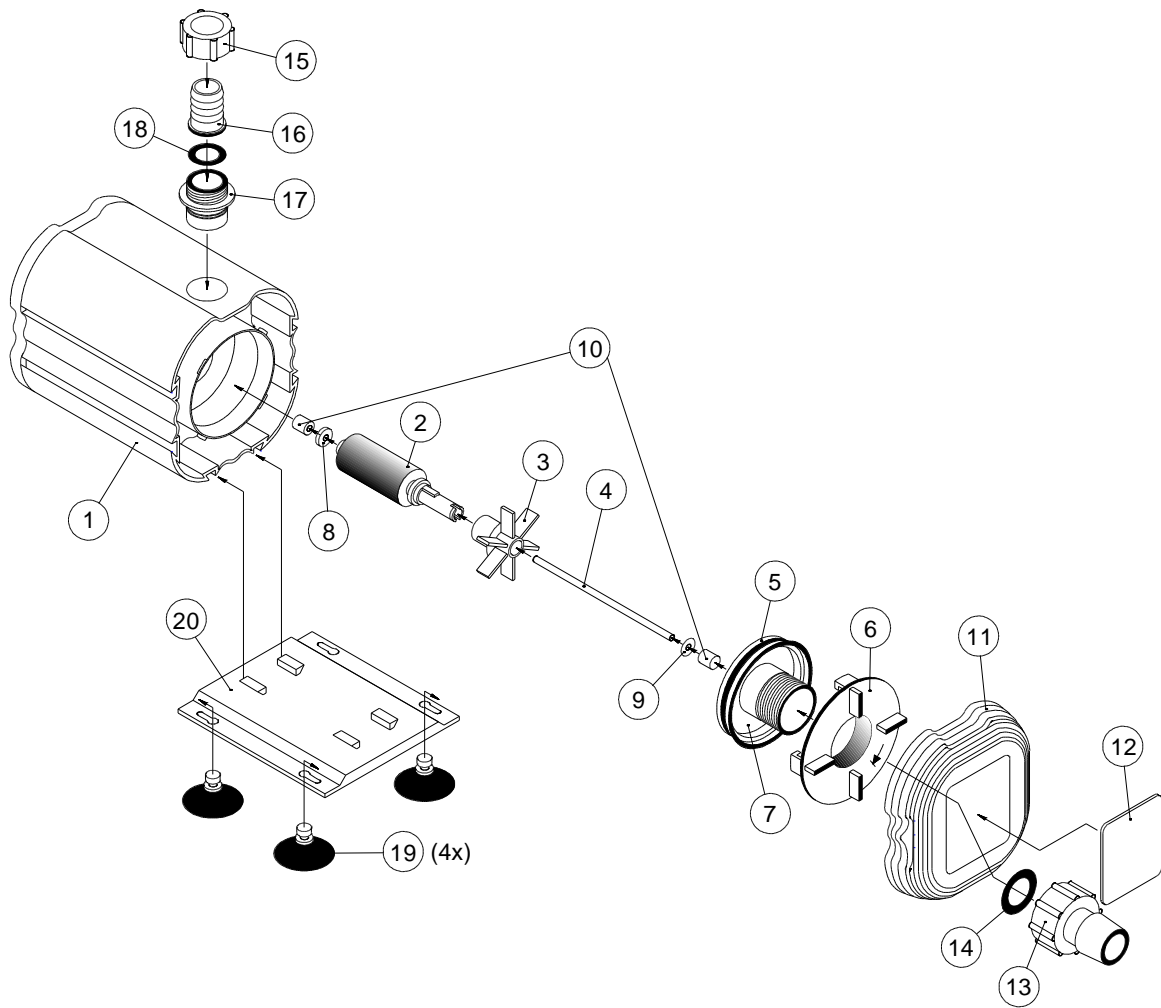


Fig 1: Capacity of the OR 1200.

### 3. Parts of the pump



- |                            |                              |
|----------------------------|------------------------------|
| 1. motor housing           | 11. filter basket            |
| 2. rotor / magnet          | 12. lid of the filter basket |
| 3. Impeller                | 13. hose connection, 1/2"    |
| 4. Ceramic Shaft           | 14. washer, 1/2"             |
| 5. O-ring                  | 15. Nut, 1/2"                |
| 6. Bayonet-lock            | 16. hose connection, 1/2"    |
| 7. lid of the pump housing | 17. Adapter nipple, 1/2"     |
| 8. Washer, big             | 18. Washer, 1/2"             |
| 9. Washer, small           | 19. Rubber sucker, 4 pcs     |
| 10. Rubber bearing         | 20. holding plate            |

## 4. Connections

**suction side:** The suction side can be connected with a 1/2 “ flexible hose, using the included hose fitting (13).

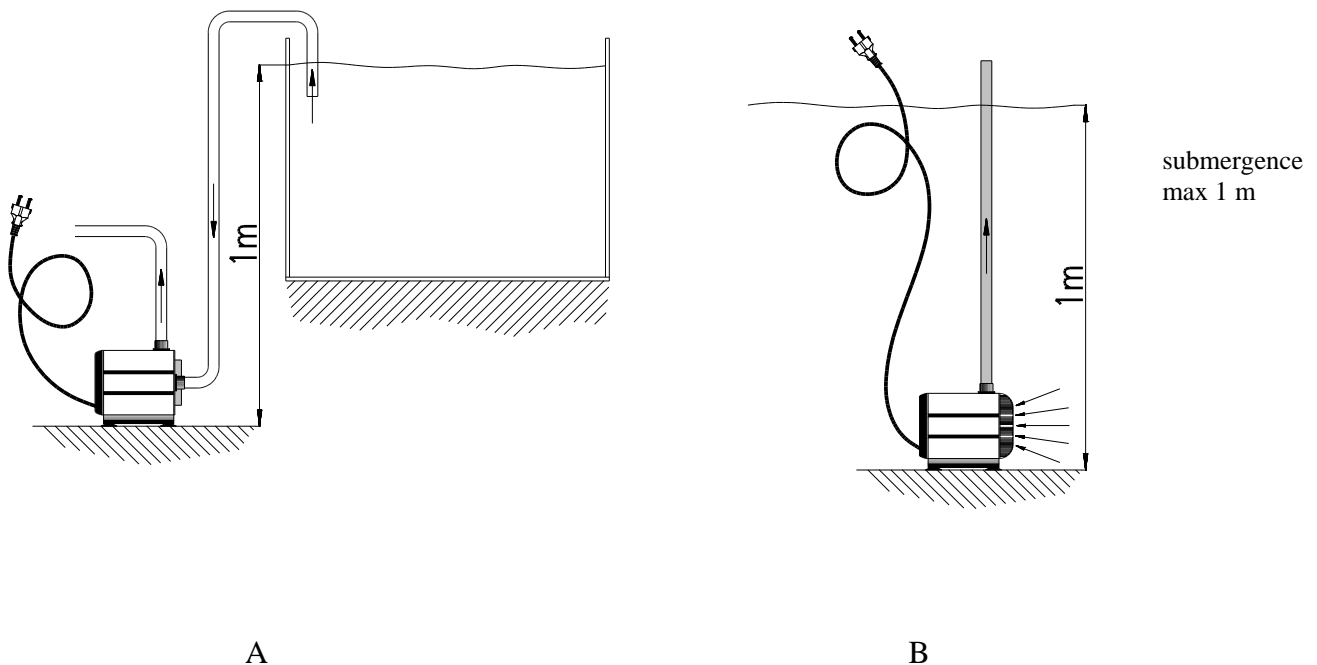
**Pressure side:** The pressure side can be connected with a 1/2“ flexible hose, using the included hose fitting ( 15/16). This hose fitting has also to be used, if the pump is used as a pure current pump.

## 5. Mounting:

The pump may be set up submerged or dry. It is however not self priming and, if set up dry, it has to be placed below the water level. If used submerged, we recommend to remove the hose connection (13) at the suction side and to mount the filter basket (11). In any case, dry running of the pump has to be avoided.

The bottom plate (20) with the rubber suckers (19) can be connected with the pump from 3 sides, so the outlet can be adjusted.

After set up of the pump, make sure, you can always reach the power plug.



Example for dry ( A) and submerged (B) set up

### **Security advise:**

The pump is constructed for indoor use only. Before working at the aquarium, the power plus has to be removed. The connection cable and the power plug may not be changed. If the power cable is damaged, the pump may not be used any more.

## 6. Maintenance/Cleaning

Depending on the water quality, the pump has to be cleaned from time to time.

Pull out the power plug before you start any work at the pump.

The pump is maintenance-free and -under normal conditions- reliable for years.

However, we recommend to clean the filter housing (1 + 5) and all rotating parts regularly.

In case of failure, check the power connection and fuse.

If no defect is identified, the pump may be blocked and must be cleaned:

Remove the connections and open the bayonet (6) at the pump housing. Now the suction connection (7) can be removed. Attention: This part fits rather tightly (O-ring) and has to be removed carefully not to break the shaft (4).


Now, the complete magnet(2) and impeller (3) can be removed, cleaned under running water and reassembled in the opposite order.

## 7. Failures

The pump is constructed for long term maintenance-free operation. In case, the pump is creating noise, the pump head (1+5) has to be cleaned. If the magnet or the impeller is damaged, both can be changed. The impeller (3) may be removed from the magnet.

## 8. Warranty

On the pump OR 1200 we guarantee 12 months on material defects. Excluded are wearing parts. Proof of purchase is the original invoice.

 **AQUA MEDIC** warrants only material and workmanship defects. The warranty will not apply to complaints which are due to improper installation or misappliance, poor cleaning, frost, calcium deposition or improper repairing.

In our production we use only quality materials. Nevertheless, in case of a justified complaint, we provide a repair or a replacement of defective parts free of charge. We reserve the right to charge the assembly costs. Generally, all warranty claims have to be treated either through us or an approved service centre.

If you make use of the warranty, send the defective unit or part inclusive the proof of purchase and a complaint report prepaid in.

We are not liable for consequential damages caused by failures of the pump.

Complaints due to transport damages can only be handled if the damage has been monitored and confirmed by the carrier at the time of delivery.