

### *Operation manual*

**90 cm 4 x 39 W  
6 x 39 W  
8 x 39 W**

**120 cm 4 x 54 W  
6 x 54 W  
8 x 54 W**



In purchasing this Ocean Light T5, you have selected a top quality product. It has been specifically designed for aquarium use and has been tested by experts. High quality components and latest technology as well as modern design guarantee for enjoying your aquarium lighting for many years.

## 1. Technical Data

**Line voltage:** 230 Volt/50 Hz (if not stated otherwise on the ID-label).

**Luminaires:** The lights can be equipped with luminaires for sea water or fresh water aquariums.

Version for sea water: Aqualine T5: Reef White 15K, Reef White 10K und Reef Blue

Version for fresh water: Aqualine T5: Reef White 10K und Plant Grow

## 2. Unpacking

On unpacking, please check the lighting system immediately for any damages. In case of any complaints, please contact your dealer directly.

### Included in shipment:

- Light: depending on the version, the lights contain the following:
  - sockets for the installation of 4 - 6 or 8 T5 fluorescent lamps, controlled by 2 power cables
  - blue LED-lamps as moonlight with a separate power cable
  - the versions with 6 and 8 T5 lamps have got fans for cooling the lamps. These fans start automatically when the middle fluorescent lamps are switched on. Longlife fans with ball bearing are used, they are operated with a safety tension of 6 V.
- plastic holder for assembling the light on the aquarium edge
- Aquaseal, a special glue for fixing the plastic holder
- steel cable suspension

## 3. Safety advices

- The lighting system cannot be used as aquarium cover. It has to be mounted only above the aquarium. The minimum distance between lighting and aquarium must be at least 30 cm.
- The lighting system may not be operated without the protection glasses.
- The housing and protection glasses may become hot during operation. **Be cautious when touching them!**
- Before any replacement of bulbs, disconnect the lighting system from the mains and let it cool down. Afterwards, take the lighting down.
- When cleaning, take care that no humidity passes the ventilation slits and enters the interior of the lighting system!
- Pay attention to a sufficient thermal exchange. Keep the ventilation slits always free! Do not mount the system in enclosures or behind panels. Missing aeration may result in overheating and damage the electrical components what may be the cause of noise production.
- Do not try to repair the lighting system. Please send it in for checking, preferably with a list of defects.
- When working on the light, always pull all power supply plugs.

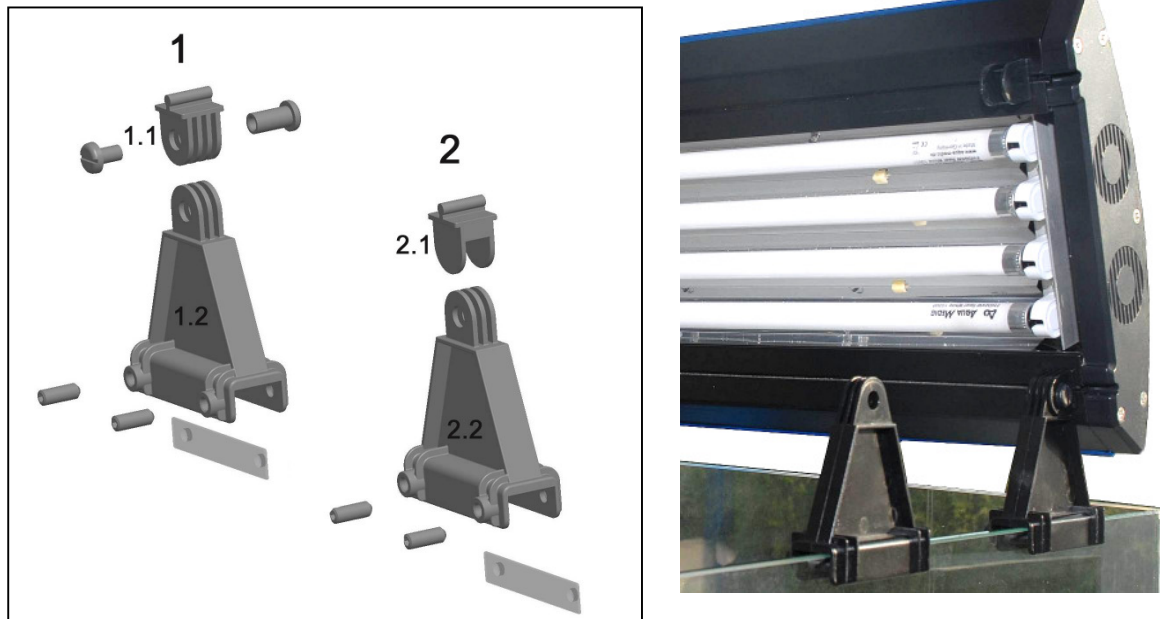
## 4. Installation

The light can be fastened on the aquarium edge with the attached plastic holders or alternatively with the steel cable at the ceiling.

### 4.1 Fixing by using the plastic holders

The plastic holders consist of the following different parts:

- 2 holders incl. hinge (1). These are slid into the rear bar of the light.
- 2 small holders (2.1). These are slid into the front bar of the light.
- 2 supports (2.2). These are attached to the aquarium edge.



For assembling, the holders (1) are pushed onto the light in such a way that they can be put on the aquarium edge. The holders (2.1) and (2.2) are aligned in such a way at the light and/or at the aquarium that they interlink, if the light is folded down. The holders are shifted that way that the light rests upon the aquarium symmetrically. Now, the positions at the aquarium edge can be marked. Then, the holders are taken off the aquarium and glued on the markings by using Aquaseal. Now, they can be fixed by the Allen screws. After the Aquaseal has dried, the light can simply be folded in and out for maintenance of the aquarium.

**Important: It is absolutely necessary to glue the holders on for safety reasons!**

### 4.2 Suspension by using the steel cable

The cable suspension system provides a neat and simple method of ceiling mounting of **Ocean Light T5** or other suitable lights.

#### Contents:

The suspension system comprises 2 pcs. of each of the following:

1. ceiling plate with screws and plugs, 2 metre stainless steel cable with stopper
2. light fixing (cable with Y-piece, end bushes and screws)

## Mounting:

### Fixing on the ceiling

The two ceiling plates (1.1) must be securely screwed to the ceiling by using the screws and plugs. Suitable screws and plugs are provided but you should ensure your ceiling is capable of holding the weight of the light in this way. The two suspension points at the ceiling can be marked as follows:

- Ocean Light T5 4 x 39 W ( 92 cm)
- Ocean Light T5 4 x 54 W (122 cm)

**Stainless steel cable:** The stainless steel cable is now fed through the retaining bush (1.3) of the ceiling plate so that the stopper (1.2) is retained inside the ceiling plate. The retaining bush is screwed onto the ceiling plate allowing the stainless steel cable to hang free.

### Fixing of the light

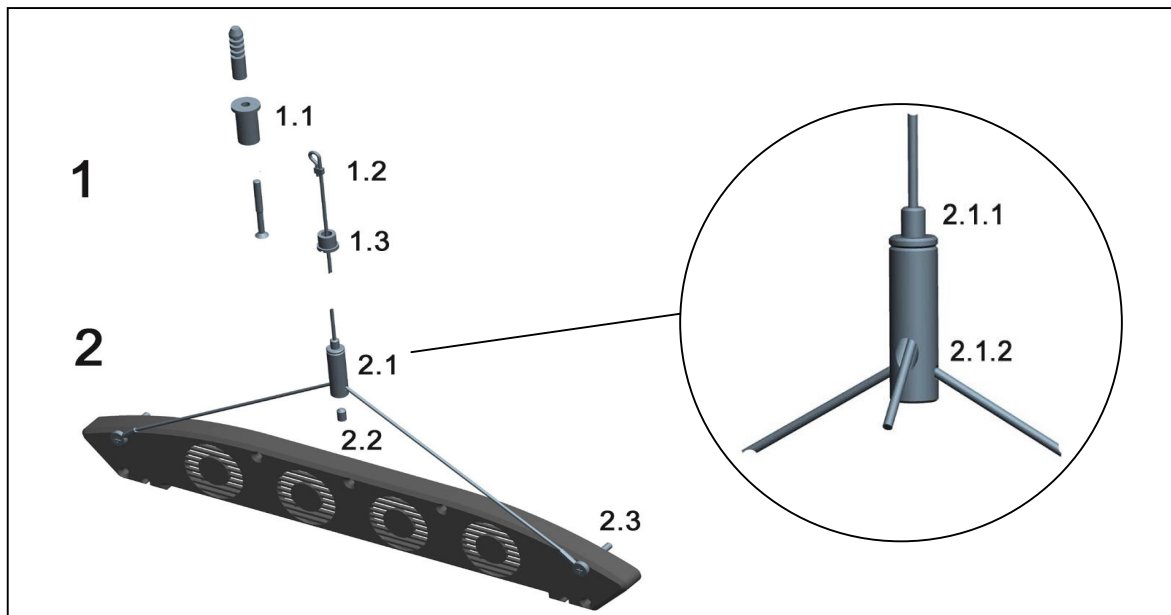
First of all, the outer screws of the end caps of the light are taken off. Now, the loops of the Y-piece (2.3) are mounted where the screws had been by using the attached longer screws. Then, the stainless steel cable has to be drawn through the light fixing of the Y-piece. To do so, the cable is fed through the fixing from the top (2.1.1). It is drawn through the side opening (2.1.2) and then it has to be pulled until the lamp is in the correct height above the aquarium. As soon as the light is adjusted in the right position, tighten the safety bolt (2.2) to avoid a canting of the lamp.

### Release the fixing:

The light fixing has a non-return mechanism so that the cable can easily be adjusted. To remove the light or re-adjust the height, press the adjustment screw (2.1.1). – **Caution:** Hold the light tight! Now, the stainless steel cable can be pulled out of the light fixing.

When the light is mounted in the correct position, any surplus cable may be cut off by pliers.

**Pay attention to the required minimum distance of 30 cm to the water surface!**



### Steel cable suspension:

- |     |                                       |       |                          |
|-----|---------------------------------------|-------|--------------------------|
| 1.1 | Ceiling suspension                    | 2.2   | Safety bolt              |
| 1.2 | Stopper at the stainless steel cable  | 2.3   | Loop of Y-piece          |
| 1.3 | Retaining bush for ceiling suspension | 2.1.1 | Fixing screw for release |
| 2.1 | Light fixing                          | 2.1.2 | End of the cable         |

### **4.3 Assembling/changing the fluorescent lamps**

For assembling the fluorescent lamps, the cover plates are pushed out from the light. Now, the lamps can be set in or exchanged. Subsequently, the cover plates have to be put in again.

#### **Electrical connection:**

The **Ocean Light T5** can be connected to any safety socket or to one or more timers if automatic operation is desired.

**When working on the light, always pull all power supply plugs!**

### **5. Maintenance and Care**

The T5 lamps have a life span of approx. 10,000 hours. This corresponds to around 2 years with a daily illumination time of 10 hours. It is recommended to replace the bulbs before this time because performance and colour composition change towards the end of the life span.

Clean the filter glass regularly (caution: let it cool down!) from residues from water splashes and evaporation with a moistened cloth. Never use additional cleansing agents!

### **6. Warranty**

Should any defect in material or workmanship be found within 12 months of the date of purchase AB Aqua Medic GmbH undertakes to repair or, at our option, replace the defective part free of charge – always provided the product has been installed correctly, is used for the purpose that was intended by us, is used in accordance with the operating instructions and is returned to us carriage paid. The warranty term is not applicable on the all consumable products.

Proof of Purchase is required by presentation of an original invoice or receipt indicating the dealer's name, the model number and date of purchase, or a Guarantee Card if appropriate. This warranty may not apply if any model or production number has been altered, deleted or removed, unauthorised persons or organisations have executed repairs, modifications or alterations, or damage is caused by accident, misuse or neglect.

We regret we are unable to accept any liability for any consequential loss.

Please note that the product is not defective under the terms of this warranty where the product, or any of its component parts, was not originally designed and / or manufactured for the market in which it is used. These statements do not affect your statutory rights as a customer.

If your AB Aqua Medic GmbH product does not appear to be working correctly or appears to be defective please contact your dealer in the first instance.

Before calling your dealer please ensure you have read and understood the operating instructions. If you have any questions your dealer cannot answer please contact us.

Our policy is one of continual technical improvement and we reserve the right to modify and adjust the specification of our products without prior notification.

**AB AQUA MEDIC GmbH - Gewerbepark 24 - 49143 Bissendorf/Germany**

Technical changes reserved-

10/2009